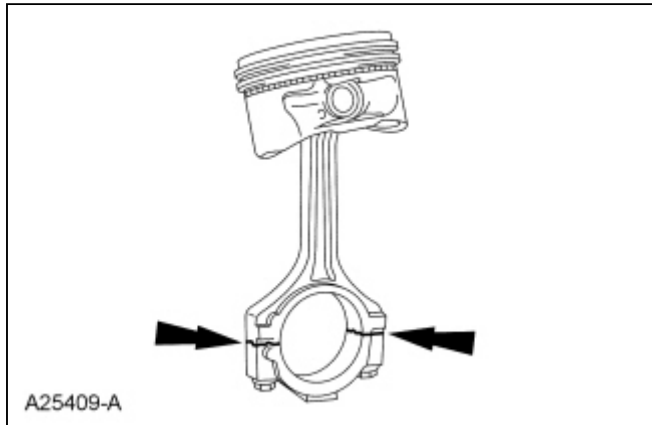


## Connecting Rod Cleaning

**NOTICE:** Do not use a caustic cleaning solution or damage to connecting rods can occur.

1. **NOTE:** The connecting rod large end is a matched set. The connecting rod cap must be installed on the original connecting rod in the original position. Do not reverse the cap. Parts are not interchangeable.

Mark and separate the parts and clean with solvent. Clean the oil passages.



A25409-A

---